

SINK DESCRIPTION

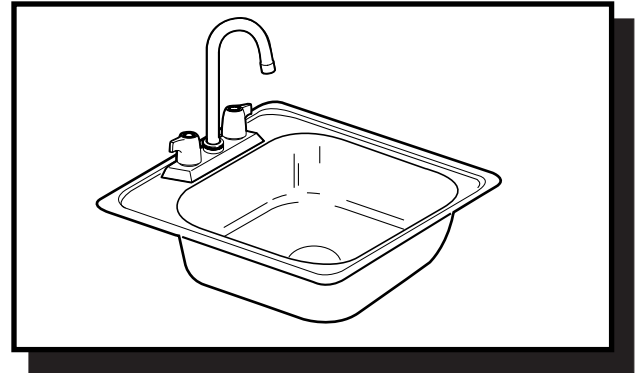
- Manufactured of 23 gauge, type 301 nickel-bearing stainless steel
- Comes complete with model #87903 two-handle bar faucet
- Bowl is 12" x 10" x 5-1/2"
- The sink ledge has two fixture mounting holes, 1-1/4" in diameter recessed drain opening
- The exposed surfaces are polished to a lustrous satin tone finish
- Includes all necessary mounting hardware

CUT OUT DIMENSIONS

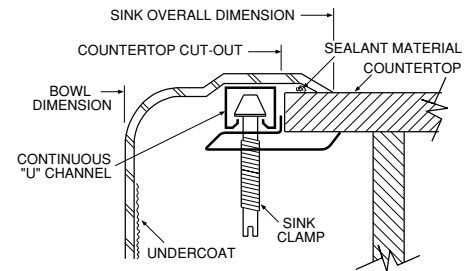
- Cut out dimensions are 14-3/8" x 14-3/8", with a 3/8" corner radius. A tolerance of plus or minus 1/16" is acceptable

WARRANTY

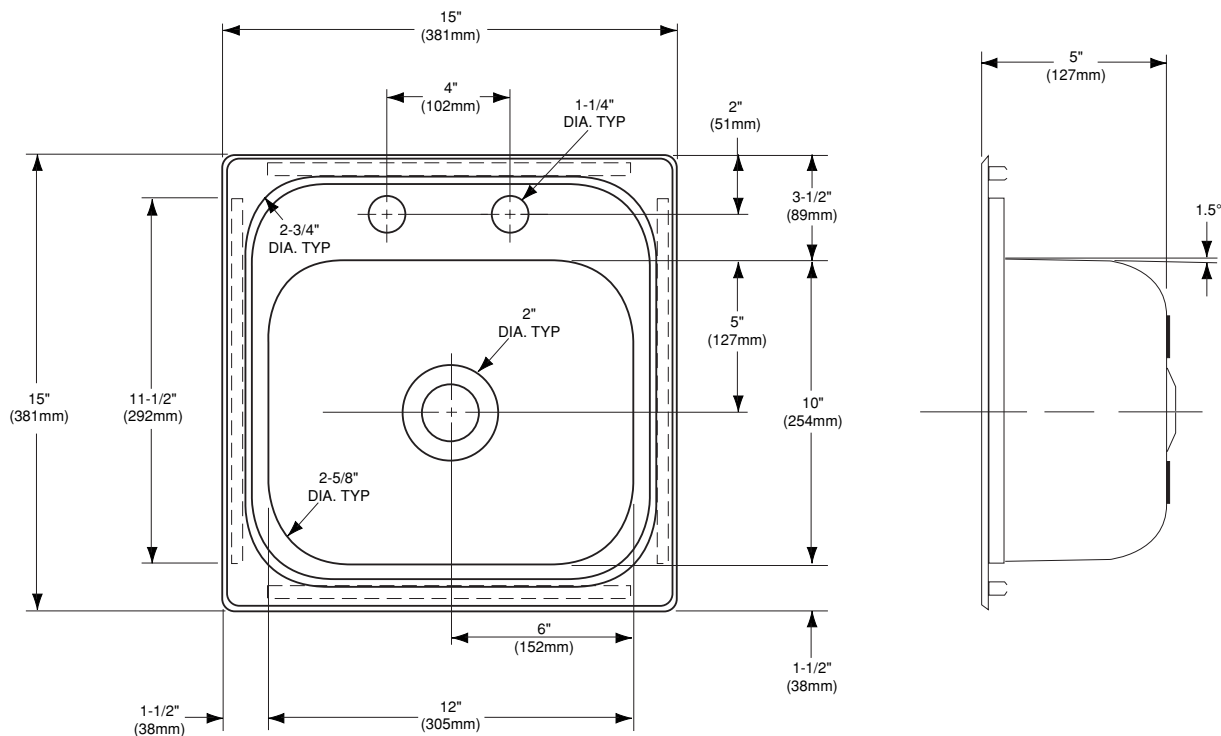
- Warranted for one year against material or manufacturing defects



**Single Bowl Bar Sink
Model: 21509**



Installation Detail



CRITICAL DIMENSIONS

(DO NOT SCALE)